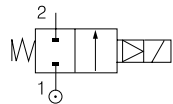


2/2 Way Valve (Magnalift)

Model : 221S Series



Features

- Normally closed
- Body : StSt 316
- 7000 sleeve assembled
- Coil : All of 7000 sleeve coil available
- Operated on nearly Zero MOPD
- Oil, gas, Steam and corrosive fluid applicapable
- Applied Seal : FKM, EPDM and NBR with factory consult
- Body thread type : NPT, PT available with factory consult

Application

- Chiller (Semiconductor)
- Food and fluid Press process
- Oil and gase applied equipment
- Printing machine
- Testing equipment

Normally Closed

REFERENCE NO.				PORT SIZE (PF) G Thread	ORIFICE (mm)	FLOW (L/MIN) (L / min) Liquids KV	ADMISSIBLE DIFF. PRESSURE (BAR)			MAX. FLUID TEMP.(°C)		SEAL	Power (W)	
VESSEL NO. Lucifer	HOUSING	COIL					Min	Max		Water	Steam		DC	AC
		Gobal	Korea					DC	AC					
221S10F	I	-	1K	3/8"	15	40	0	-	10	85		FKM	14	10
	2995	481865	-					-	10	85			9	8
	4270	481000	-					-	10	85			8	8
	4270	486265	-					7	10	85			14	14
	H	-	1F					-	10	85			8	8
	H	-	1H					7	10	85			14	14
221S10E	2995	481865	-	3/8"	15	40	0	-	10	85	-	EPDM	9	8
	4270	481000	-					-	10	85	-		8	8
	4270	486265	-					4	4	-	140		14	14
	H	-	1F					-	10	85			8	8
	H	-	1H					4	4	-	140		14	14
221S15F	I	-	1K	1/2"	15	50	0	-	10	85		FKM	14	10
	2995	481865	-					-	10	85			9	8
	4270	481000	-					-	10	85			8	8
	4270	486265	-					7	10	85			14	14
	H	-	1F					-	10	85			8	8
	H	-	1H					7	10	85			14	14
221S15E	2995	481865	-	1/2"	15	50	0	-	10	85		EPDM	9	8
	4270	481000	-					-	10	85			8	8
	4270	486265	-					4	4	-	140		14	14
	H	-	1F					-	10	85			8	8
	H	-	1H					4	4	-	140		14	14

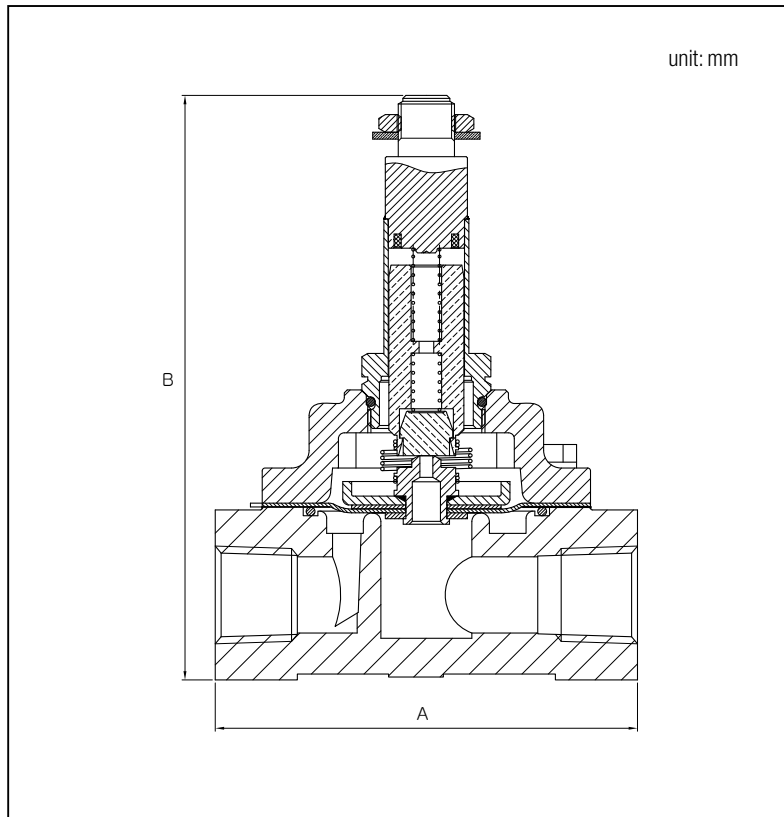
Solenoid Valves

221S Series

Normally Closed

REFERENCE NO.				PORT SIZE (PF) G Thread	ORIFICE (mm)	FLOW (L/MIN) (L/min) Liquids KV	ADMISSIBLE DIFF. PRESSURE (BAR)			MAX. FLUID TEMP.(°C)		SEAL	Power (W)	
VESSEL NO. Lucifer	HOUSING	COIL					Min	Max		Water	Steam		DC	AC
		Gobal	Korea					DC	AC					
221S20F	I	-	1K	3/4"	24	95	0	-	10	85		FKM	14	10
	2995	481865	-					-	10	85			9	8
	4270	481000	-					-	10	85			8	8
	4270	486265	-					7	10	85			14	14
	H	-	1F					-	10	85			8	8
	H	-	1H					7	10	85			14	14
221S20E	2995	481865	-	3/4"	24	95	0	-	10	85		FKM	9	8
	4270	481000	-					-	10	85			8	8
	4270	486265	-					4	10	-	140		14	14
	H	-	1F					-	10	85			8	8
	H	-	1H					4	10	-	140		14	14
221S25F	I	-	1K	1"	24	105	0	-	10	85		FKM	14	10
	2995	481865	-					-	10	85			9	8
	4270	481000	-					-	10	85			8	8
	4270	486265	-					7	10	85			14	14
	H	-	1F					-	10	85			8	8
	H	-	1H					7	10	85			14	14
221S25E	2995	481865	-	1"	24	105	0	-	10	85		EPDM	9	8
	4270	481000	-					-	10	85			8	8
	4270	486265	-					4	4	85	140		14	14
	H	-	1F					-	10	85			8	8
	H	-	1H					4	4	85	140		14	14

Dimension



Beratung unter:

(07151) 90 39 50

Bestellen unter:

(07151) 90 39 50

(07151) 74 20 1

info@maku-industrie.de

www.maku-industrie.de

Size	Model			
	221S10F	221S15F	221S20F	221S25F
A	72	72	72	83
B	100	100	117	117

